

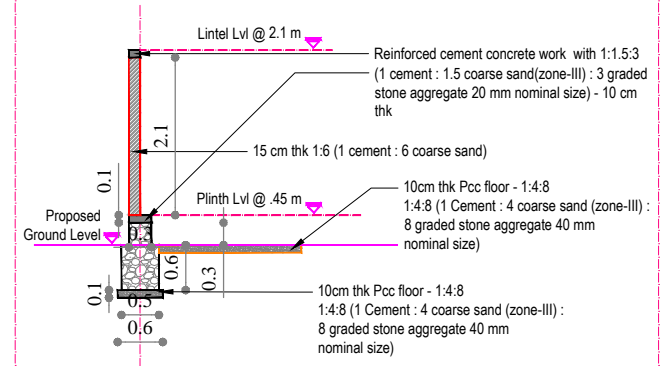
**GROUND FLOOR PLAN**  
**FLOOR AREA : 53.10 SQM (571.56 sqft)**

**JOINERY SCHEDULE**

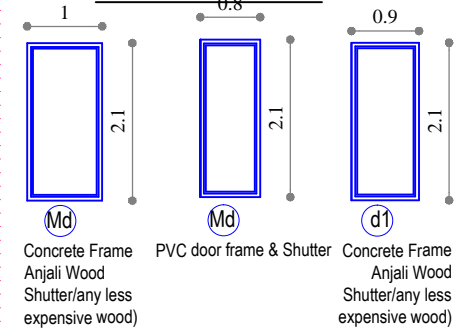
WINDOWS		
Type	Size (cm)	Nos
w0 -	30 x 140 cm	3
w -	60 x 100 cm	1
w1 -	60 x 140 cm	4
w2 -	120 x 140 cm	4
w3 -	100 x 100 cm	1
V -	80 x 80 cm	2

DOORS		
Type	Size (cm)	Nos
Md -	100 x 210 cm	1
d1 -	90 x 210 cm	3
td -	75 x 210 cm	2

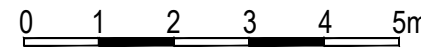
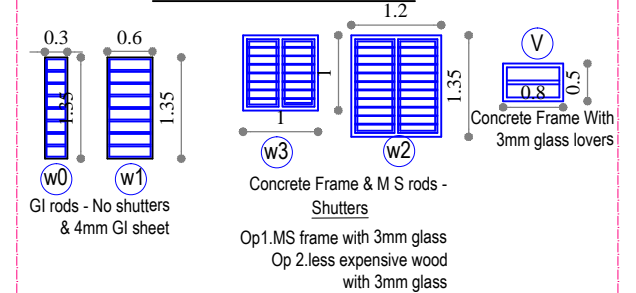
**TYPICAL FOUNDATION DETAILS**



**DOOR SCHEDULE**



**WINDOW SCHEDULE**



Project :  
**PMAY - BLC HOUSE DESIGN**

Drawing :  
**SINGLE STORIED  
 1 BHK - Type 13**

All Dimensions in cm  
 Sheet : A4

Disclaimer : These drawings are the sole property of .....changes or copies shall be made without prior consent of ..... The contractors /site engineers /supervisors must verify all dimensions of the job and report any discrepancies to the Architects before executing the work.